

4

3

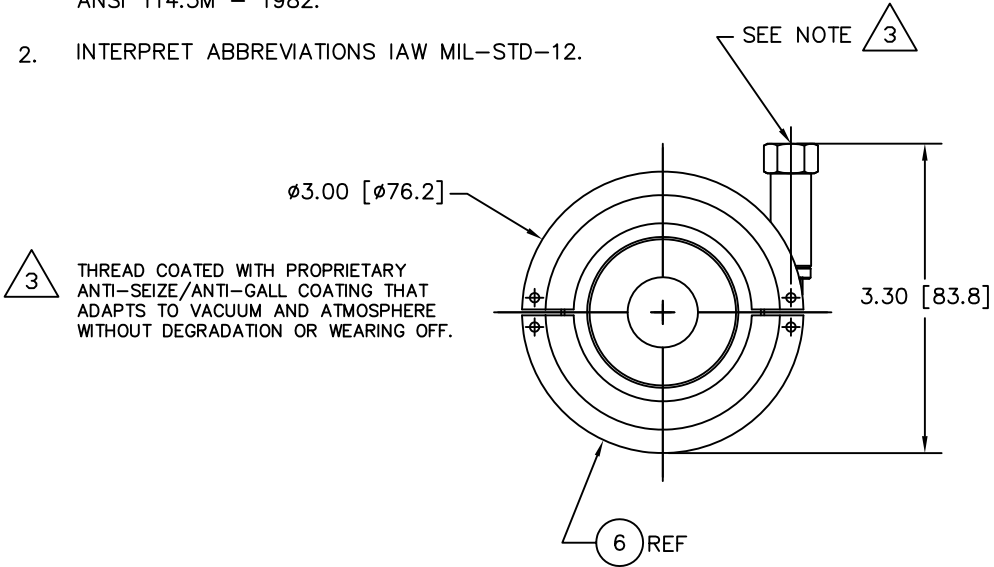
2

1

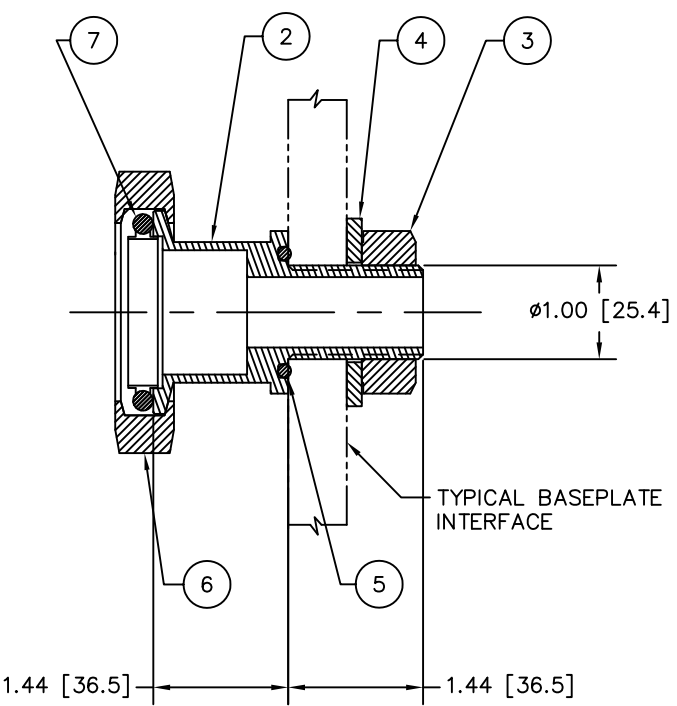
NOTES: UNLESS OTHERWISE SPECIFIED

- 1. INTERPRET DIMENSIONS AND TOLERANCING IAW ANSI Y14.5M - 1982.
- 2. INTERPRET ABBREVIATIONS IAW MIL-STD-12.

REVISION				
ZONE	REV	DESCRIPTION	DATE	APPROVED
	-	INITIAL RELEASE	960406	



3 THREAD COATED WITH PROPRIETARY ANTI-SEIZE/ANTI-GALL COATING THAT ADAPTS TO VACUUM AND ATMOSPHERE WITHOUT DEGRADATION OR WEARING OFF.



1		00000100-3	CENTERING RING, KF-40			7
1		00000099-1	1-1/2" STAINLESS CLAMP			6
1		00000153-2216	O-RING 75 DUROMETER 2-216	VITON		5
1	3A054	00000032	FLT WASHER 1.06 ID X 2.0 OD	18-8 CRES		4
1	3A054	00000033	JAM NUT, HEX 1.00-14UNS	18-8 CRES		3
1		00000007	KF40/1" FEEDTHROUGH			2
1		00000018	DC FEEDTHROUGH ASSY			1
-1	CAGE CODE	PART OR IDENTIFYING NO.	NOMENCLATURE OR DESCRIPTION	MATERIAL SPECIFICATION	ZONE	ITEM NO.

QUANTITY PER ASSEMBLY		PARTS LIST			
		UNLESS OTHERWISE SPECIFIED DIMENSIONS ARE IN INCHES - TOLERANCES ARE:	DRAWN G. CERVANTES	DATE 96/04/06	MATERIALS SCIENCE, INC. Vacuum and Thin Film Technology <small>697 Hwy 94a, San Jose, CA 95128</small>
		DECIMALS ANGLES	APPROVAL		
		±.1 ±.005			DC FEEDTHROUGH ASSY, KF-40/1" BASEPLATE
		±.005 ±.0005			
		MACHINE SURFACES UNLESS OTHERWISE SPECIFIED			SIZE C CAGE CODE 00000018 REV -
		FINISH			SCALE: 1/1 W: DSP: SHEET: 1 OF 1
		APPLICATION	DO NOT SCALE DRAWING		

4

3

2

1

REV - 00000018

A