

REV	DATE	DESCRIPTION	BY	APP'D
INITIAL RELEASE	080821	J. MILLER		

- NOTES: UNLESS OTHERWISE SPECIFIED
- INTERPRET DRAWING IAW THE GLOBAL PROFESSIONAL PUBLICATIONS "DRAWING REQUIREMENTS MANUAL", EIGHTH EDITION.
 - INTERPRET DIMENSIONS AND TOLERANCES IAW ANSI Y14.5M - 1982.
 - INTERPRET ABBREVIATIONS IAW MIL-STD-12.

WARNING:
WATER FITTINGS HAVE A CLEAR ID OF .25 INCHES. USING A SLEEVE OR SIMILAR DEVICE INSIDE THE WATER HOSE MAY CAUSE FLUID RESTRICTIONS AND INTERFERENCE WITH THE NORMAL OPERATION OF THE CATHODE AND THEREFORE IS NOT RECOMMENDED.

WARNING:
WATER CHANNELS ARE SYMMETRICAL THROUGHOUT. ORIENTATION OF WATER INLET OR OUTLET IS NOT CRITICAL.

WARNING:
MINIMUM HOSE LENGTH OF 60" IS REQUIRED TO ENSURE RESISTIVITY RELATIVE TO ELECTRICAL GROUND WITHIN 50 KILO OHMS. TEST CABLE WITH AN OHM METER OR OTHER SUITABLE DEVICE BEFORE USE. DO NOT USE METAL TUBING! POLYETHYLENE RECOMMENDED.

WARNING:
SWAGELOCK UNION FITTING, 1/8" OD TUBE IS SUPPLIED WITH SOURCE AND ALSO AVAILABLE FROM SWAGELOK COMPANY
HTTP://WWW.SWAGELOK.COM
OR
SAN DIEGO FLUID SYSTEM TECHNOLOGIES
6350 NANCY RIDGE DRIVE, SUITE 101
SAN DIEGO, CA 92121
(658) 320-4000
SWAGELOK P/N SS-200-6
SWAGELOK FITTING, 1/8" OD TUBE IS WELDED TO UTILITY CONNECTION MODULE.

WARNING:
TUBING, TEFLON, PFA IS AVAILABLE FROM:
MC MASTER CARR
9630 NORWALK BLVD
SANTA FE SPRINGS, CA 90670-2932
VOICE: (310) 692-5911
FAX: (310) 695-2323
MCMaster-CARR P/N 5180K51
DO NOT USE METAL GAS LINES TO MEET THIS REQUIREMENT - ELECTRICAL ISOLATION IS NECESSARY.

WARNING:
WATER LINE TUBE UNION, IS AVAILABLE FROM:
ALPHA TECHNOLOGIES
320 PREMIER COURT, SUITE 222
FRANKLIN, TN 37067
TEL: (615) 771-9650
ALPHA PART NUMBER 88040-06

10. SEE MATERIALS SCIENCE, INC. DOCUMENT NO. 251092 FOR PROPER INSTALLATION, OPERATION AND USE OF SUNSOURCE SPUTTERING SOURCES.

WARNING:
MATERIALS SCIENCE P/N 00000680 SPANNER WRENCH REQUIRED TO TIGHTEN NUT.
FEDERAL SPEC GGG-W-665b.
ADJUSTABLE UP TO 2".
OVERALL LENGTH: 6 3/8"
PIN DIAMETER: 3/16"
PIN HEIGHT: 1/8"

WARNING:
MULTI-CONTACT-USA:
5560 SKYLANE BLVD.
SANTA ROSA, CA 95403
VOICE: (707) 575-7575
FAX: (707) 575-7373
INTERNET:
HTTP://WWW.MULTI-CONTACT-USA.COM
P/N 05.0201 LOCKING PLUG IS SUPPLIED WITH SOURCE.

WARNING:
3/8" O.D. WATER TUBES AND PUSH-TO-CONNECT UNIONS CAN BE REPLACED WITH 1/2" O.D. WATER LINES FOR HIGH POWER APPLICATIONS. CONTACT FACTORY.

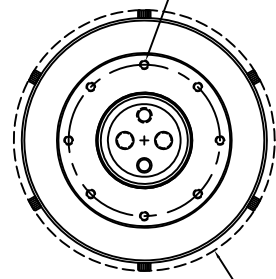
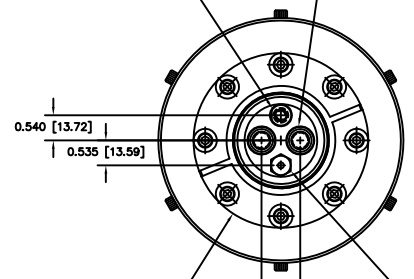
SEE NOTE 12

LOCKING SOCKET P/N 00000712
SOCKET SCREWS INTO M6 X 10 DEEP TAPPED HOLE.
SOLDER CUP DIMS ON MATING PLUG FOR POWER CABLE CONNECTION = 5mm DIAMETER X 14mm DEEP BORE

SEE NOTES 4, 5, 6, 9, 13

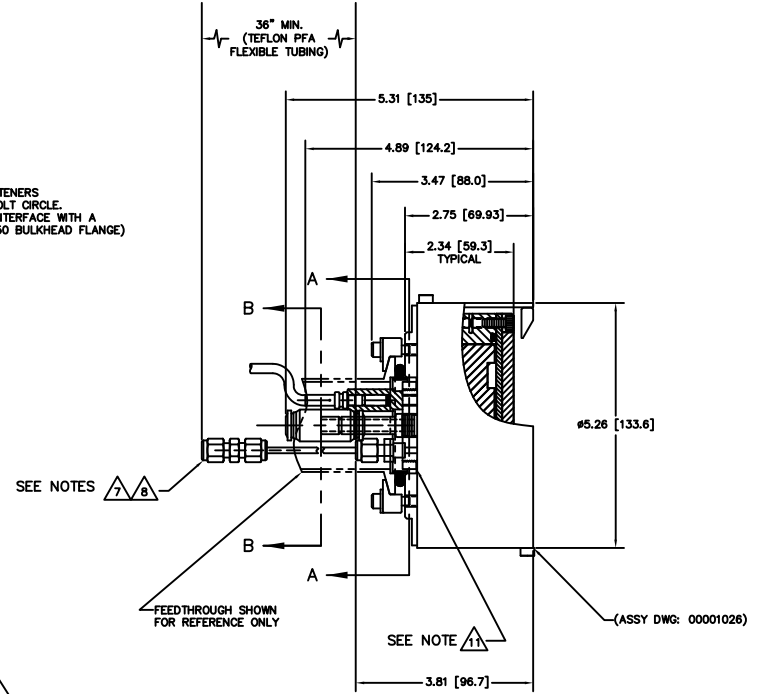
2X PUSH-TO-CONNECT WATER FITTINGS (INCLUDED) ARE DESIGNED TO INTERFACE WITH A .375 OD POLYETHYLENE TUBE

8X M5-0.8 FASTENERS ON A #3.250 BOLT CIRCLE. (DESIGNED TO INTERFACE WITH A STANDARD KF-50 BULKHEAD FLANGE)



SECTION B-B

SECTION A-A



INSTALLATION CONTROL DRAWING

QUANTITY FOR ASSEMBLY	CAGE CODE	PART OR IDENTIFYING NO.	NOMENCLATURE OR DESCRIPTION	MATERIAL SPECIFICATION	ZONE	ITEM NO
			PARTS LIST			
			DATE: J. MILLER 06/06/01			
			MATERIALS SCIENCE, INC. Vacuum and Thin Film Technology			
			SUNSOURCE, 4 INCH INTERNAL MOUNT, INSTALLATION CONTROL			
		750				00001025
			USED ON			
			APPLICATION			

00001025