

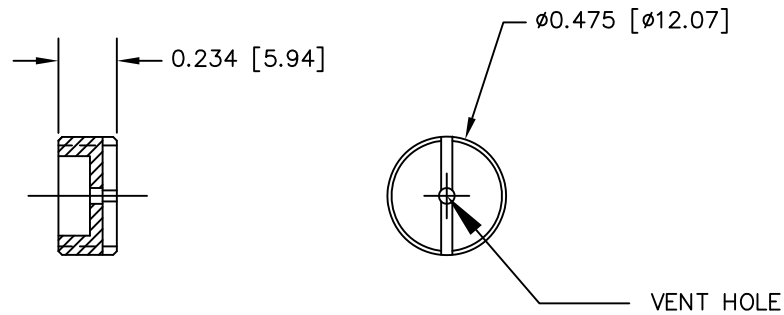
NOTES: UNLESS OTHERWISE SPECIFIED

1. INTERPRET DIMENSIONS AND TOLERANCING IAW ANSI Y14.5M - 1982.
2. BREAK SHARP EDGES .002-.015.
3. INTERPRET ABBREVIATIONS IAW MIL-STD-12.



MATERIAL:
VIRGIN ELECTRICAL GRADE PTFE TEFLON.

REVISION				
ZONE	REV	DESCRIPTION	DATE	APPROVED
	-	INITIAL RELEASE	960321	



	1	ZONE	ITEM NO.
-1	CAGE CODE	PART OR IDENTIFYING NO.	NOMECLATURE OR DESCRIPTION
00000008	INSULATOR CAP, M3 BOLT		1

QUANTITY PER ASSEMBLY		PARTS LIST				DRAWN				
-1	CAGE CODE	PART OR IDENTIFYING NO.	NOMECLATURE OR DESCRIPTION	MATERIAL SPECIFICATION	ZONE	ITEM NO.	DRAWN	DATE	MATERIALS SCIENCE, INC. Vacuum and Thin Film Technology http://www.msi-pse.com	
							G. CERVANTES	96/03/21	INSULATOR CAP, M3 BOLT	
							APPROVAL			
							THIS DRAWING CONTAINS PROPRIETARY INFORMATION AND ANY REPRODUCTION, DISCLOSURE OR USE OF THIS DRAWING WITHOUT WRITTEN PERMISSION FROM MATERIAL SCIENCES, INC. IS EXPRESSLY PROHIBITED		SIZE	CAGE CODE
									B	00000008
									SCALE: 1/1	WT:
									DISP:	SHEET: 1 OF 1

		UNLESS OTHERWISE SPECIFIED DIMENSIONS ARE IN INCHES TOLERANCES ARE: DECIMALS .X ± .030 .XX ± .010 .XXX ± .005 ANGLES ± 0°30'
		MACHINE SURFACES UNLESS OTHERWISE SPECIFIED 125
		FINISH
NEXT ASSEMBLY	USED ON	
APPLICATION		DO NOT SCALE DRAWING