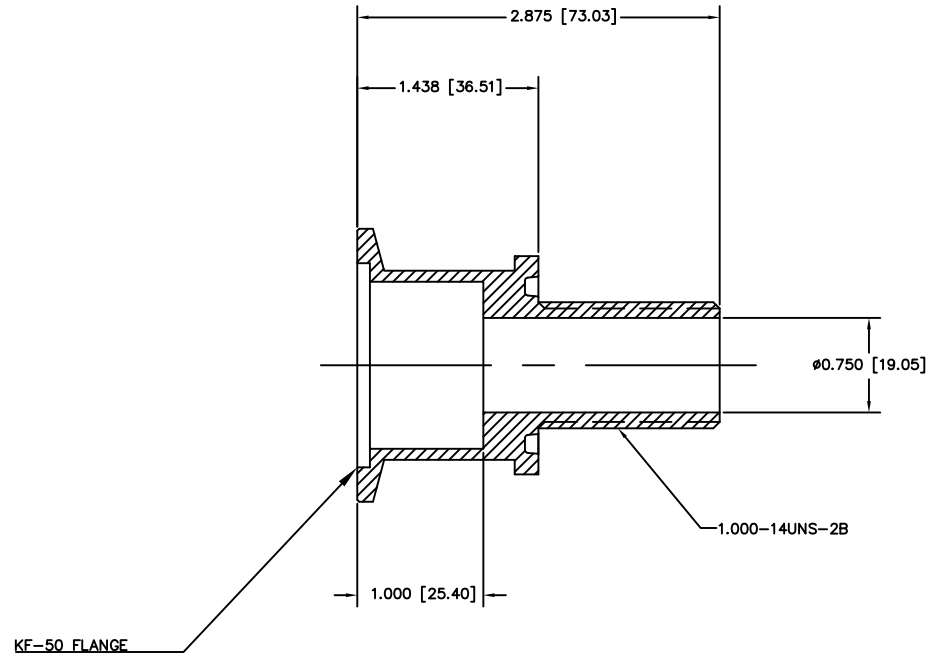
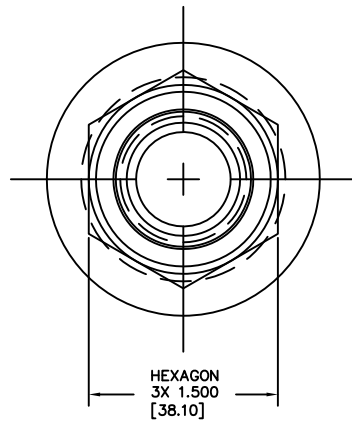


NOTES: UNLESS OTHERWISE SPECIFIED

1. INTERPRET DIMENSIONS AND TOLERANCING IAW ANSI Y14.5M - 1982.
2. BREAK SHARP EDGES .002-.015.
3. INTERPRET ABBREVIATIONS IAW MIL-STD-12.

ZONE	REV	DESCRIPTION	REVISION	DATE	APPROVED
-	-	INITIAL RELEASE		960320	



QUANTITY PER ASSEMBLY	-1	CAGE CODE	00000007	PART OR IDENTIFYING NO.	FLANGE, MOUNTING, KF40/1 INCH FEED THROUGH	MATERIAL SPECIFICATION	304 CRES	ZONE	1	ITEM NO	1
PARTS LIST											
DRAWN G. CERVANTES 06/05/20				APPROVAL		MATERIALS SCIENCE, INC. <i>Vacuum and Thin Film Technology</i> <small>10000 WILSON BLVD, SUITE 100, WEST VALLEY CITY, OHIO 44159</small>		FLANGE, MOUNTING, KF40/1 INCH FEED THROUGH			
<small>UNLESS OTHERWISE SPECIFIED DIMENSIONS ARE IN INCHES TOLERANCES ARE:</small> DECIMALS .015 FRACTIONS 1/16 HOLE DIMENSIONS .005 HOLE DIMENSIONS UNLESS OTHERWISE SPECIFIED .005 FINISH 125				<small>THIS DRAWING CONTAINS PROPRIETARY INFORMATION AND ANY REPRODUCTION, DISCLOSURE OR USE OF THIS DRAWING IS EXPRESSLY PROHIBITED</small>				SIZE D DATE CODE 00000007 REV -			
NEXT ASSEMBLY				USED ON				SCALE 2/1		SHEET 1 OF 1	
APPLICATION				DO NOT SCALE DRAWING							

00000007