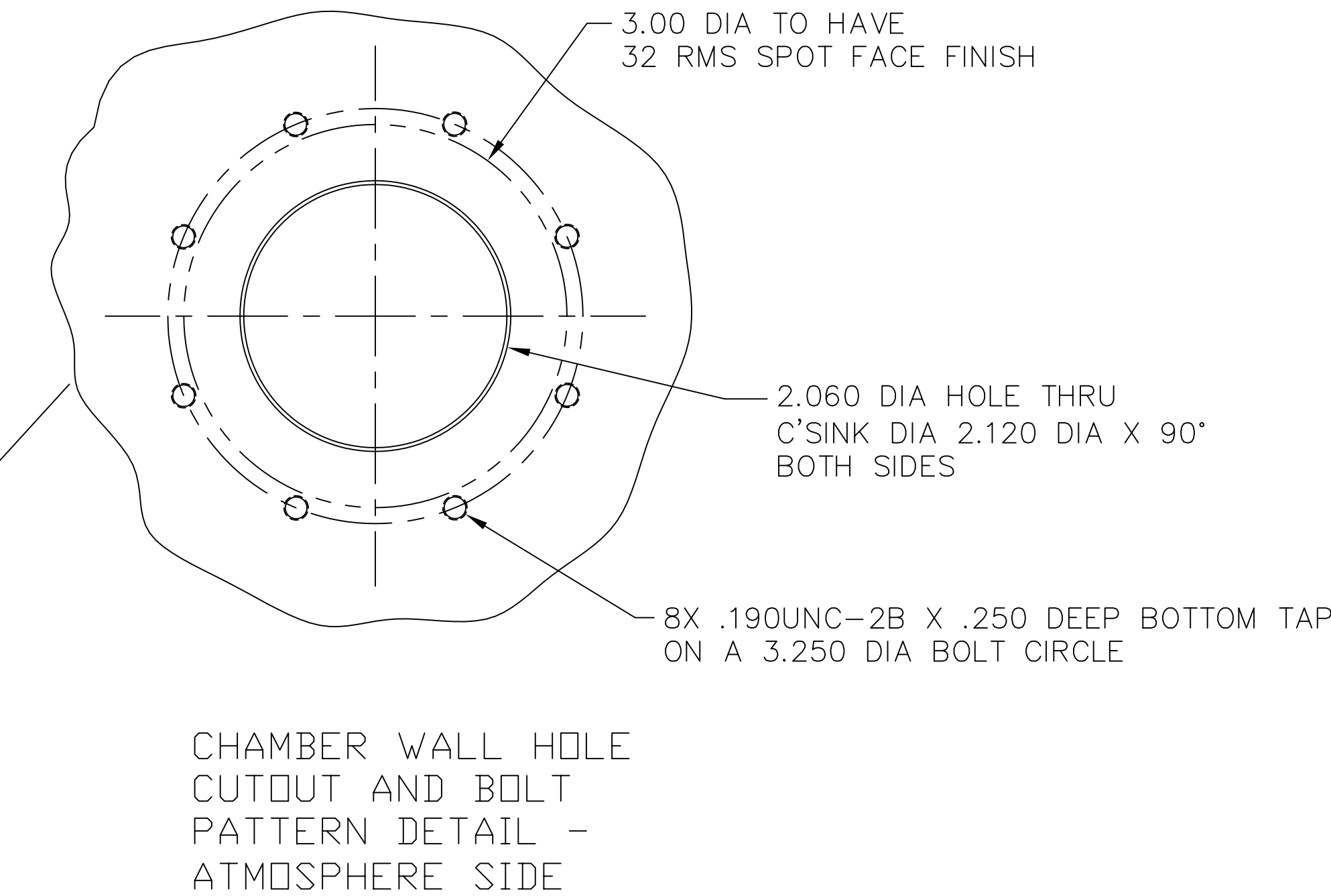
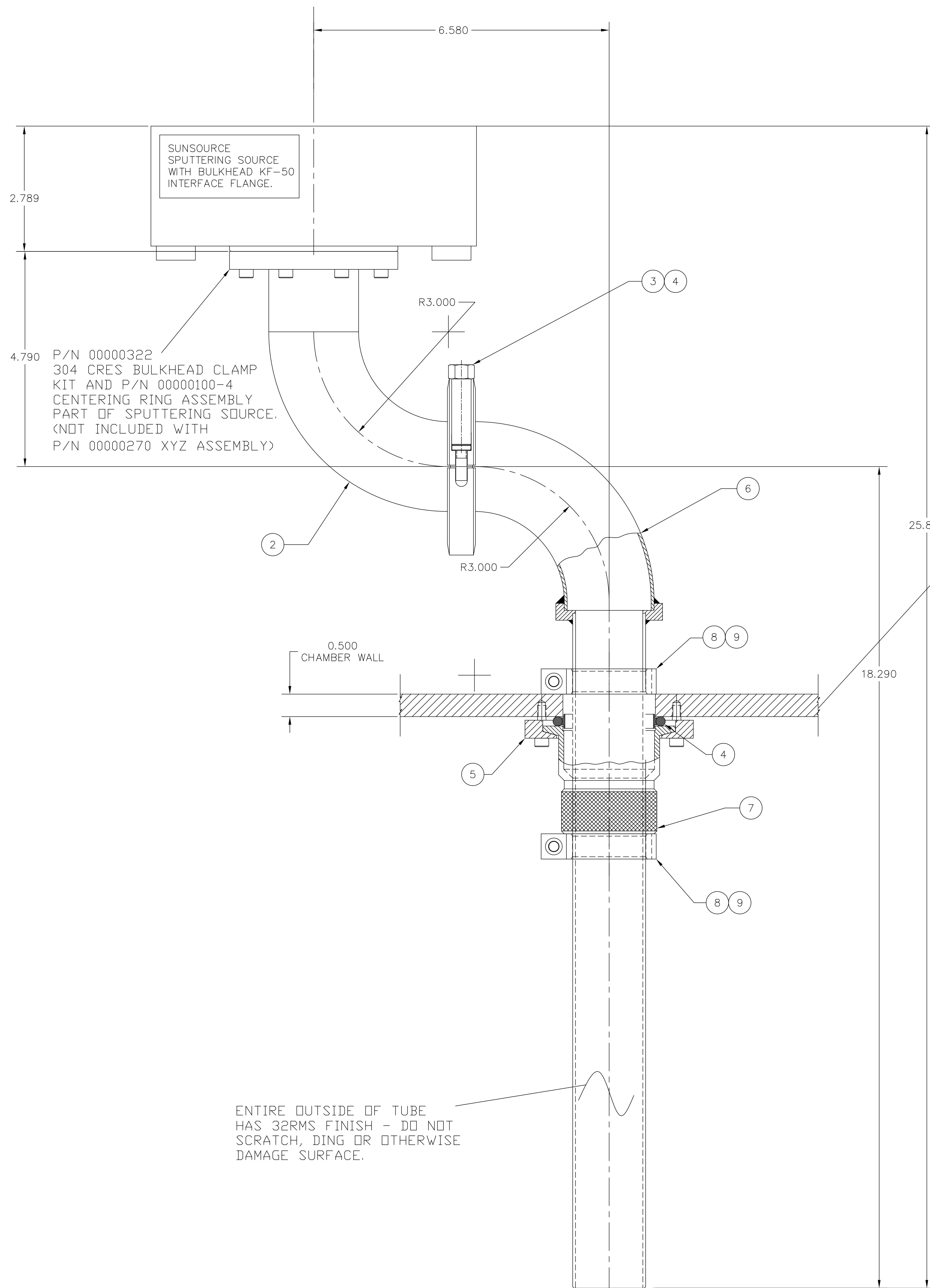


ZONE	REV	DESCRIPTION	REVISION	DATE	APPROVED
		INITIAL RELEASE		971008	
A		ADDED ITEM NO'S & BOM		051206	J.MILLER



QUANTITY PER ASSEMBLY	CAGE CODE	PART OR IDENTIFYING NO.	NOMENCLATURE OR DESCRIPTION	MATERIAL SPECIFICATION	ZONE	ITEM NO
-1						10
	A.R.	----	TEFLON TAPE			9
	2	00000157	CLAMP ASSEMBLY, FRICTION			8
	1	00000563	ADAPTOR, QUICK COUPLING			7
	1	00000560	SLIDING FEEDTHROUGH ADAPTOR, 1.625" OD TUBE			6
	1	00000562-4	KF-50 BULKHEAD CLAMP ASSY			5
	2	00000100-4	KF-50 CENTERING RING			4
	1	00000099-2	KF-50 CLAMPING RING, STAINLESS STEEL			3
	1	00000264	ELBOW, FEEDTHROUGH			2
		00000270-1	XYZ POSITIONING FEEDTHROUGH ASSY			1

UNLESS OTHERWISE SPECIFIED DIMENSIONS ARE IN INCHES TOLERANCES ARE: DECIMALS .010 .005 .002 XX 1.000 MACHINE SURFACES UNLESS OTHERWISE SPECIFIED		DRAWN: G. CERVANTES 971006 CHECK: G. CERVANTES 971006 THIS DRAWING CONTAINS PROPRIETARY INFORMATION AND ANY REPRODUCTION, DISCLOSURE OR USE OF THIS DRAWING WITHOUT WRITTEN PERMISSION FROM MATERIALS SCIENCE, INC. IS EXPRESSLY PROHIBITED.		MATERIALS SCIENCE, INC. <small>Vacuum Grid Thin Film Technology</small> 800 Old Hill Road, Dept. 01-8000	
NEXT ASSEMBLY USED ON APPLICATION		FINISH DO NOT SCALE DRAWING		XYZ POSITIONING FEEDTHROUGH ASSY	
SCALE: 1/1	WT:	DRG. NO. 00000270	REV. A	SHEET 1 OF 1	