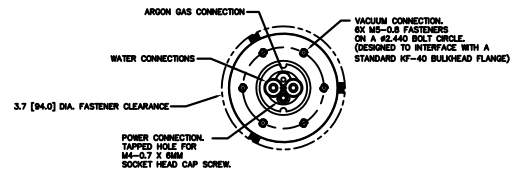
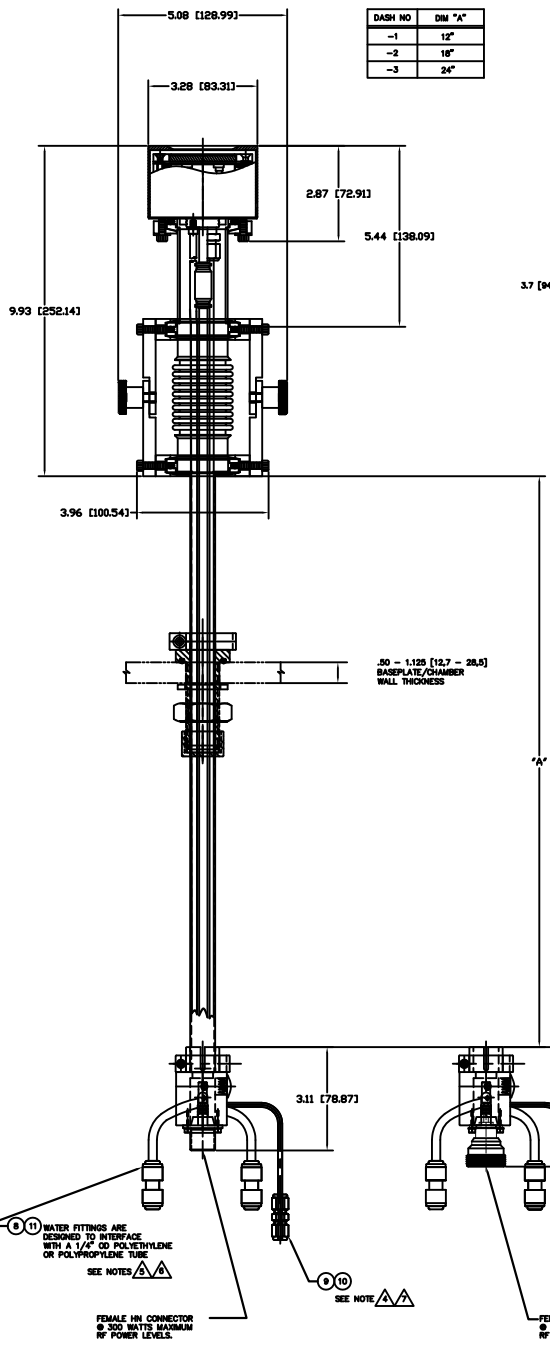
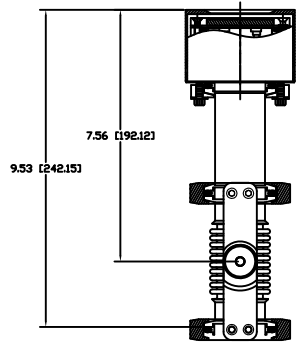


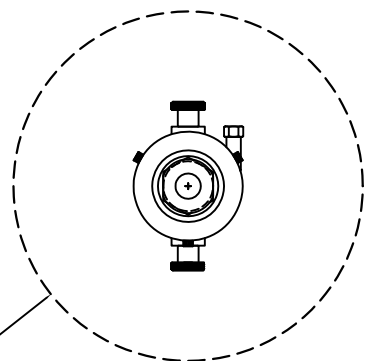
-1, -2, AND -3 ASSY SHOWN

DASH NO	DN "A"
-1	12"
-2	18"
-3	24"

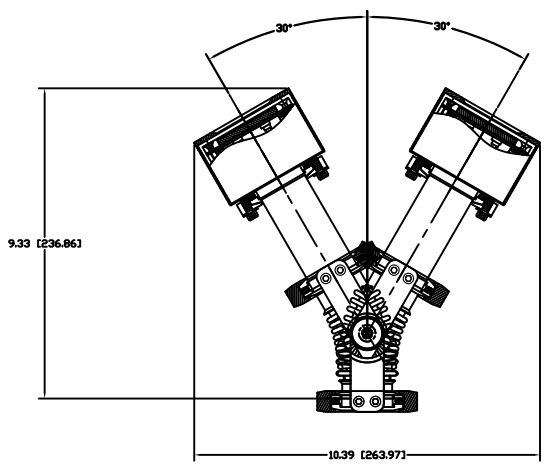


SECTION "A-A"

TOP VIEW



ALLOW #10.50 [#266.70] CLEARANCE @ 30° TILT ANGLE



⑧ ⑩ WATER FITTINGS ARE DESIGNED TO INTERFACE WITH A 1/2" OD POLYETHYLENE OR POLYPROPYLENE TUBE
 SEE NOTES A/A

FEMALE VHS CONNECTOR
 @ 300 WATTS MAXIMUM RF POWER LEVELS.

⑨ SEE NOTE A/A

FEMALE DIN 7/16 CONNECTOR
 @ GREATER THAN 300 WATTS RF POWER LEVELS.