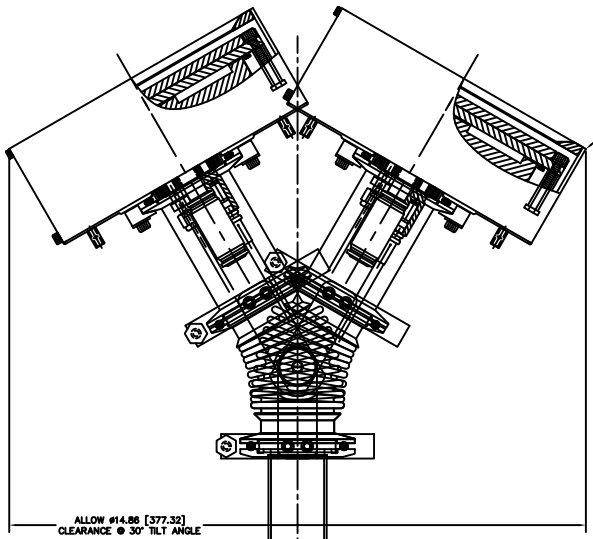
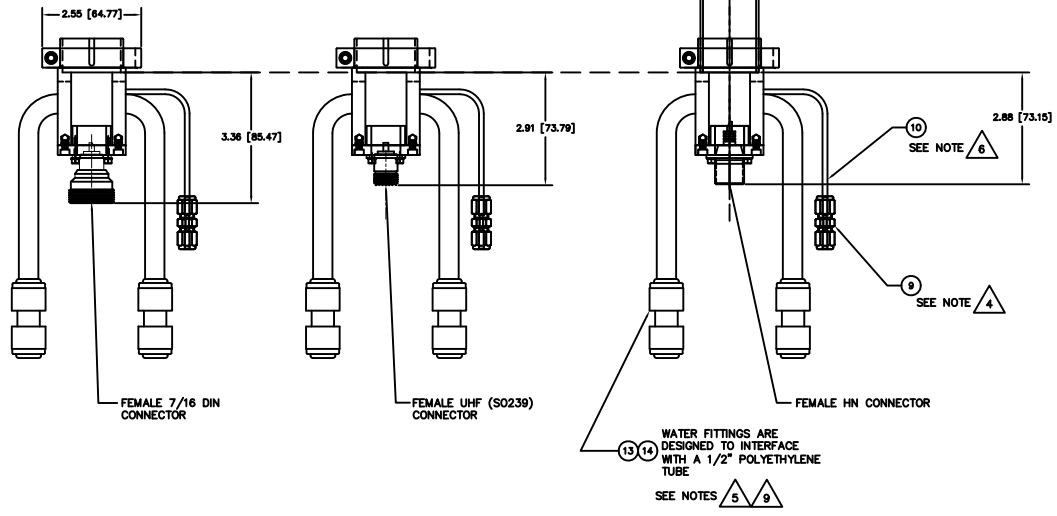


REV	DESCRIPTION	DATE	APP'D
1	INITIAL RELEASE	110508	

- NOTES: UNLESS OTHERWISE SPECIFIED
- INTERPRET DRAWING IAW THE GLOBAL PROFESSIONAL PUBLICATIONS "DRAWING REQUIREMENTS MANUAL", EIGHTH EDITION.
 - INTERPRET DIMENSIONS AND TOLERANCES IAW ANSI Y14.5M - 1982.
 - INTERPRET ABBREVIATIONS IAW MIL-STD-12.
- 4** GAS FITTING (INCLUDED), SWAGELOK (ITEM 9) IS AVAILABLE FROM: [HTTP://WWW.SWAGELOK.COM](http://www.swagelok.com)
- 5** MINIMUM 60" LONG POLYETHYLENE LINES REQUIRED FOR SAFE OPERATION. USER MUST SUPPLY POLYETHYLENE WATER LINES TO MEET THIS REQUIREMENT.
- 6** MINIMUM 36" LONG TEFLON PFA LINE REQUIRED (36" INCLUDED WITH SOURCE) FOR SAFE OPERATION. DO NOT USE METAL GAS LINES TO MEET THIS REQUIREMENT - ELECTRICAL ISOLATION IS NECESSARY.
- 7** TAKE CARE NOT TO DING, SCRATCH OR GOUGE POLISHED SURFACE.
8. SEE MATERIALS SCIENCE, INC. DOCUMENT NO. 251092 FOR PROPER INSTALLATION, OPERATION AND USE OF SUNSOURCE GEN II SPUTTERING SOURCES.
- 9** WATER LINE CONNECTORS (INCLUDED, ITEM 13) ARE AVAILABLE FROM: [HTTP://WWW.JOHNQUEST.COM](http://www.johnguest.com). P/N PP0416W.



4 3 6
SEE DWG 00002130
FOR TARGET MOUNTING VARIATIONS
AND UTILITY CONNECTIONS



QTY	REV	DESCRIPTION	MATERIAL SPECIFICATION	ZONE	ITEM NO			
2	2	2	0000074-2	TUBING, 1/2" OD X 3/8" ID X 18" LONG	POLYETHYLENE	14		
2	2	2	00002208	1/2" OD COUPLING, QUICK DISCONNECT	POLYPROPYLENE	13		
1	1	1	00002152	TILT MECHANISM ASSEMBLY, KF-50		12		
1	1	1	00002156	NIPPLE, KF-50 X 3.50 INCH LONG	304 CRES	11		
1	1	1	6 0000038-1	TUBING, 1/8" OD X 1/16" ID X 36" MINIMUM	TEFLON PFA	10		
1	1	1	4 00000316	FITTING, SWAGELOK, SS-200-6	316 CRES	9		
1	1	1	00002155	CLAMP, COMPRESSION, 1.5" TUBE, ASSY		8		
1	1	1	7 00002154	1.5 INCH TUBE FEEDTHROUGH ASSEMBLY	304 CRES	7		
1	1	1	00002130-3	6" INTERNAL CATHODE (CLAMPED TO MEMBRANE)		6		
1	1	1	00002130-2	6 INCH INT CATHODE (DIRECT WATER COOLED TGT)		5		
1	1	1	00002130-1	6 INCH INTERNAL CATHODE (BONDED TARGET)		4		
			00002376-3	6" INTERNAL SOURCE, VARIABLE POSITION & TILT		3		
			00002376-2	6" INTERNAL SOURCE, VARIABLE POSITION & TILT		2		
			00002376-1	6" INTERNAL SOURCE, VARIABLE POSITION & TILT		1		
-3	-2	-1	CAGE CODE	PART OR IDENTIFYING NO.	NOMENCLATURE OR DESCRIPTION	MATERIAL SPECIFICATION	ZONE	ITEM NO

APPROVED: J. MILLER 11/06/00

DATE: 11/06/00

DESIGNED BY: J. MILLER

CHECKED BY: J. MILLER

DRAWN BY: J. MILLER

SCALE: 1/1

DATE: 11/06/00

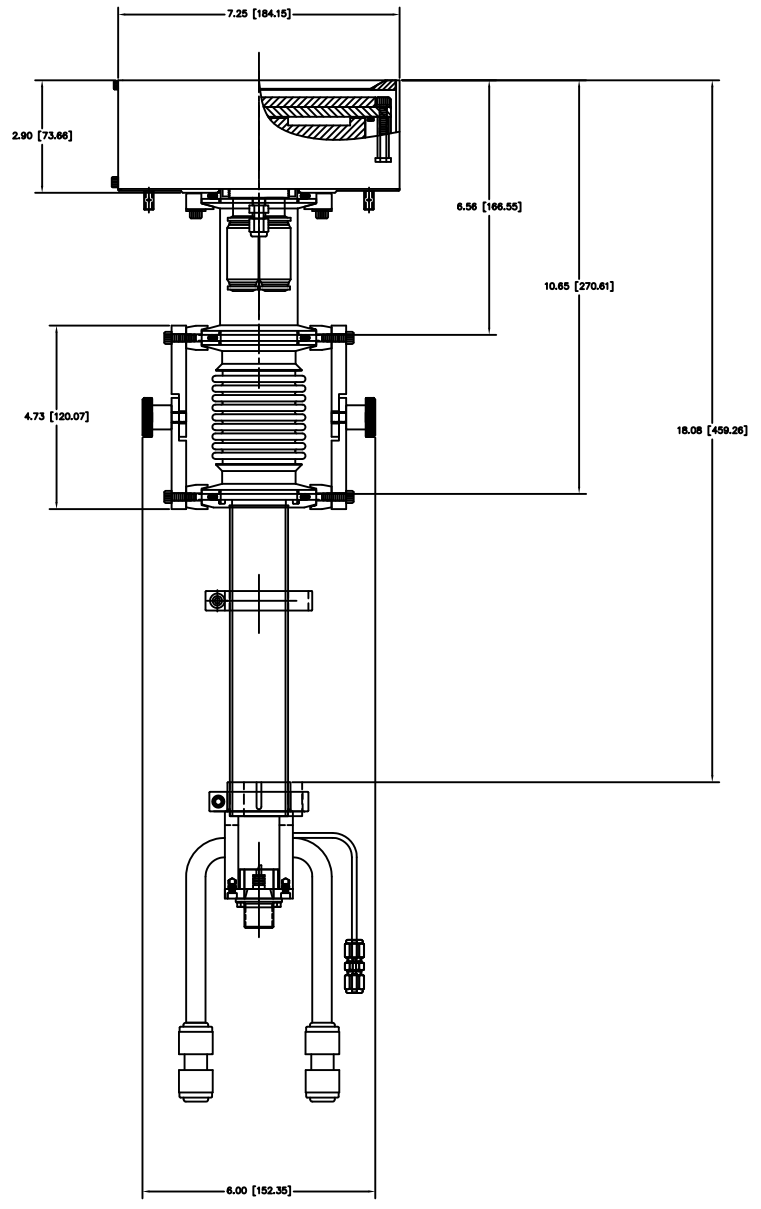
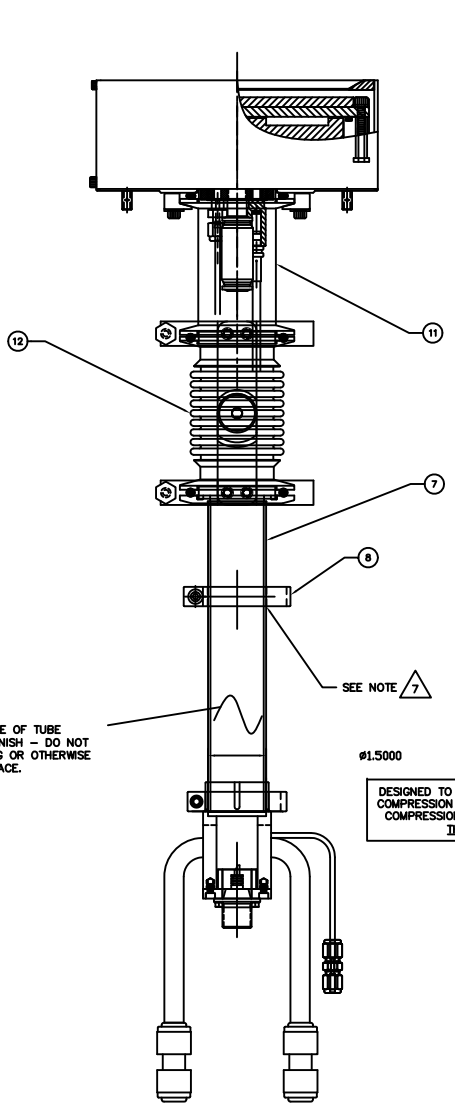
ITEM NO: 00002376

REV: 1

PAGE: 1 OF 2

APPLICATION: DO NOT SCALE DRAWING

INSTALLATION CONTROL DRAWING



00002376